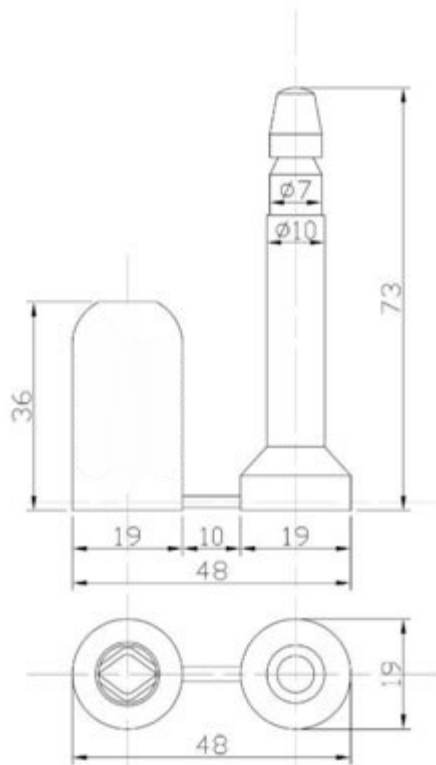


Example High Security Bolt Seal





Applications

- All kinds of ISO Containers
- Trucks
- Doors

Material

- Low carbon steel, zinc galvanized
- Wrapped with ABS

Characters

- ISO/PAS 17712 Certificated
- ?8mm steel Perch
- Removed with bolt cutters
- Easy to lock